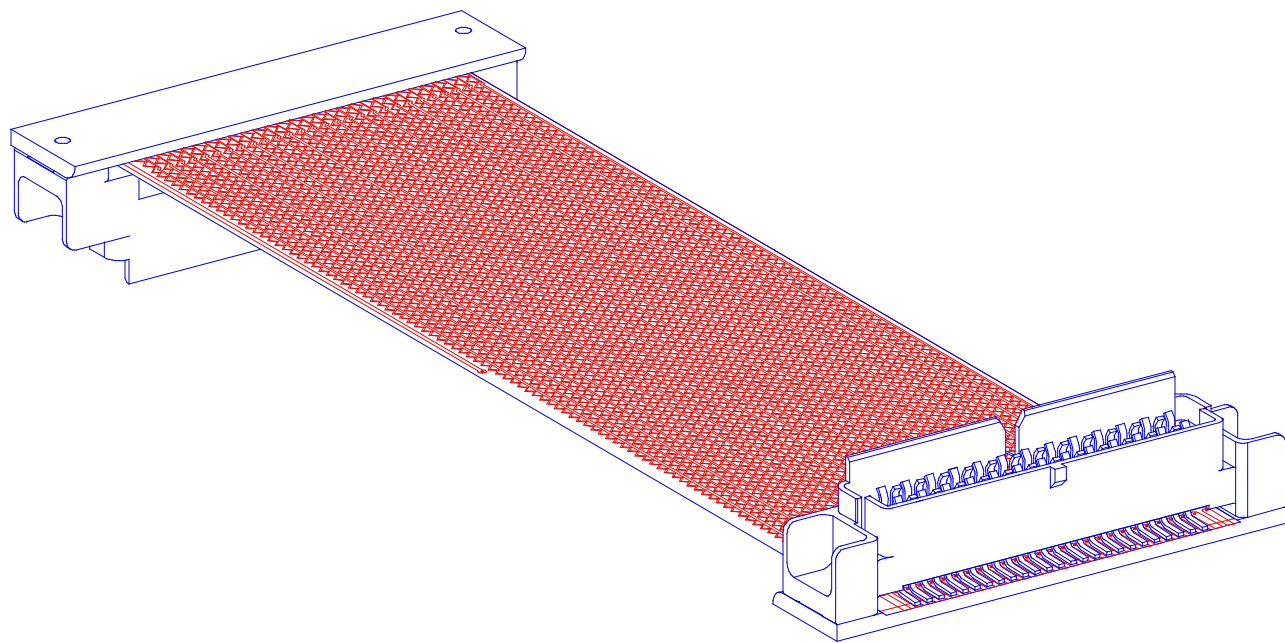


ALP TEX

Probes For Fine Pitch Connections



FlexProbe Extenders

FlexProbe Extender

Data/Application Sheets

| ALPTEX Part Number | Description |
|-----------------------|--|
| 923727 | "Hermi"/"Hermi" Connectors, 50 Lead |
| 923728 | Plug/Socket Connectors, 56 Lead |
| 923731 | Socket/Socket Connectors, 56 Lead |

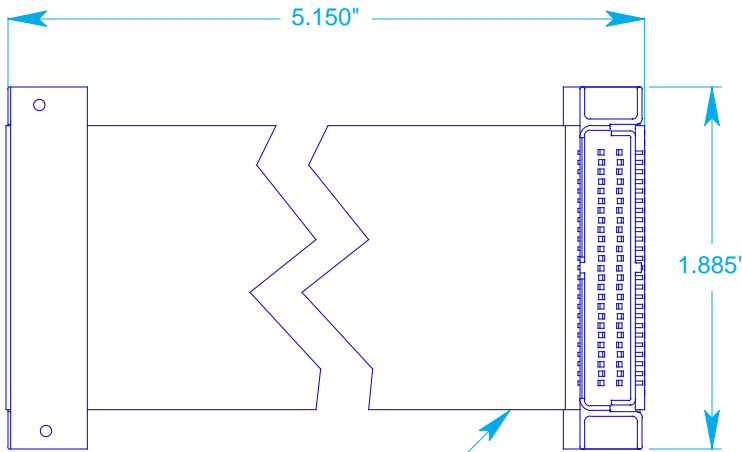
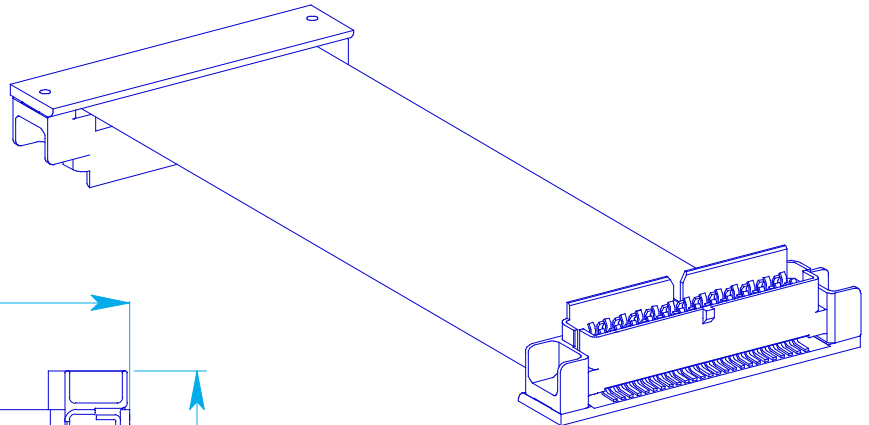
.pdf files are also available for the following:

- 0,5mm (.0197") Pitch TSOP FlexProbes...TSOP_FP.pdf
- 0,8mm (.0315") Pitch SSOP FlexProbes...SSOP_FP.pdf
- 1,27mm (.050") Pitch PSOP FlexProbes...PSOP_FP.pdf
- 1,27mm (.050") Pitch PLCC FlexProbes...PLCC_FP.pdf
- 0,75mm (.0295") Pitch microBGA FlexProbes...mBGA_FP.pdf
- 1,00mm (.0394") Pitch BGA FlexProbes...BGA_FP.pdf

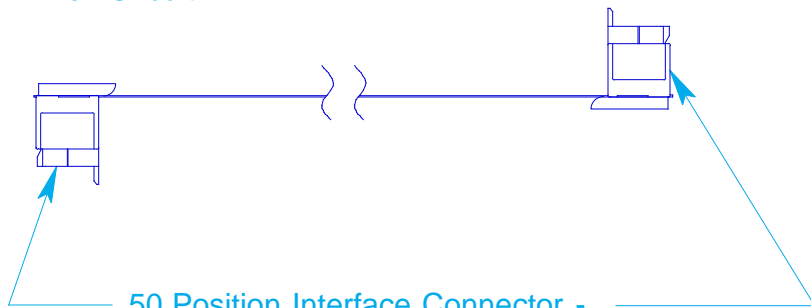
Hermi to Hermi FlexProbe

(Direct Connect or Extender)

CONTENTS



KAPTON Insulated Flex Circuit



50 Position Interface Connector -
Mates With MERITEC Surface Mount
Hermaphroditic Connector
(ALPTEX Part #923718-50)

ALPTEX

| # LEADS | PART NUMBER |
|---------|----------------|
| 50 | 923727-50-nn * |

*nn Represents a serially assigned, unique number which describes the application specific grounding pattern desired. (See reverse side of this Data Sheet.)

APP DATA

FEATURES:

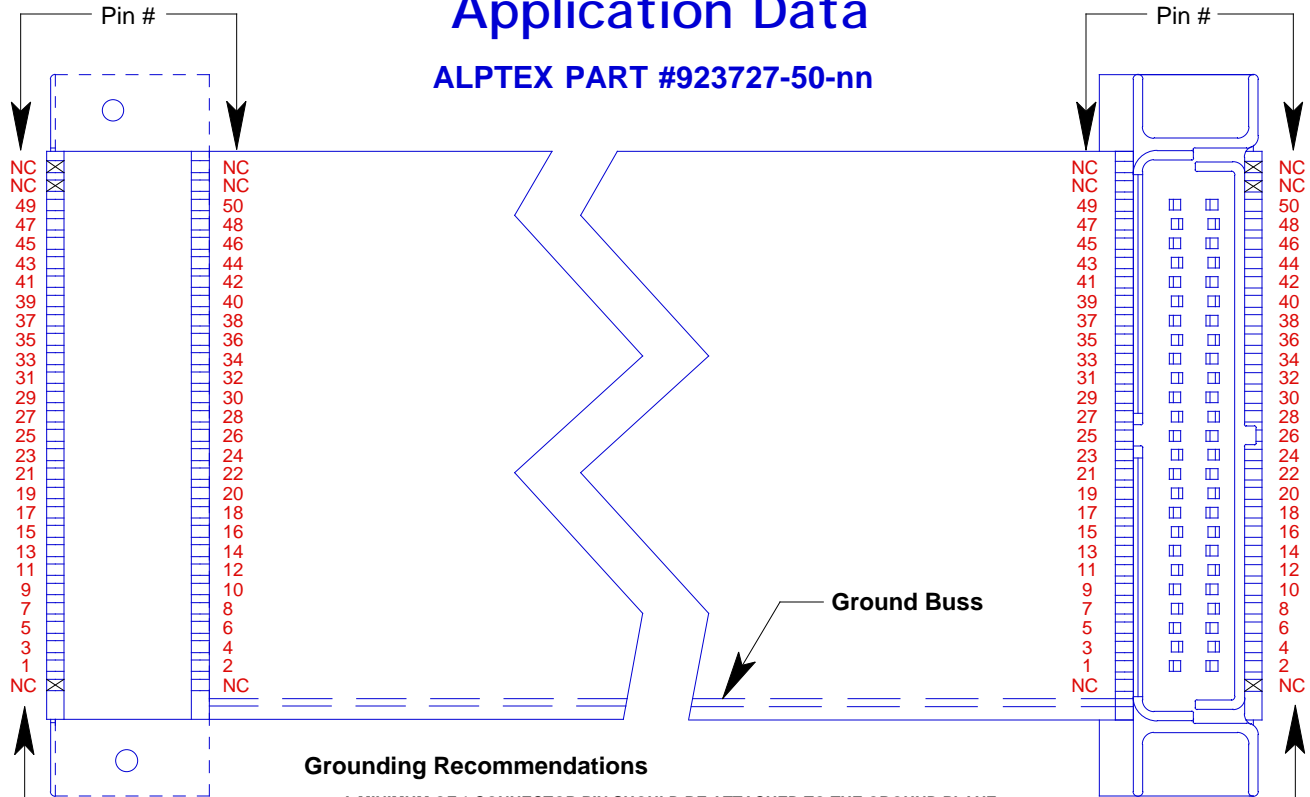
- PERMITS A DIRECT, PARALLEL CONNECTION TO TARGET VIA SEPARATE PORT.
- CAN BE USED AS A FLEXPROBE EXTENDER.
- ELIMINATES NEED TO ALTER P. C. BOARD BETWEEN DEVELOPMENT AND PRODUCTION PHASES.
- EMBEDDED GROUND PLANE DESIGNED TO VIRTUALLY ELIMINATE CROSSTALK / EMI PROBLEMS.
- MERITEC HERMAPHRODITIC CONNECTOR PROVIDES A DEPENDABLE AND COMPACT INTERFACE FOR YOUR TEST / EMULATION CIRCUITRY.
- MADE ENTIRELY IN THE U.S.A.
- FLEXPROBES FOR EMULATING POPULAR COMPONENT PACKAGES ARE ALSO AVAILABLE...CONSULT FACTORY.

ALPTEX Incorporated
P.O. Box 476
Orwell, Ohio 44076
(440)437-5570 • (440)437-5571 FAX
www.alptex.com

ALL STATEMENTS, SPECIFICATIONS AND TECHNICAL INFORMATION ON THIS DATA SHEET ARE SUBJECT TO CHANGE AT ANY TIME WITHOUT NOTICE.

Hermi to Hermi FlexProbe Application Data

ALPTEX PART #923727-50-nn



Grounding Recommendations

- A MINIMUM OF 1 CONNECTOR PIN SHOULD BE ATTACHED TO THE GROUND PLANE.
- CONNECTOR PINS MARKED AS "NC" AT TARGET SHOULD BE GROUNDED.

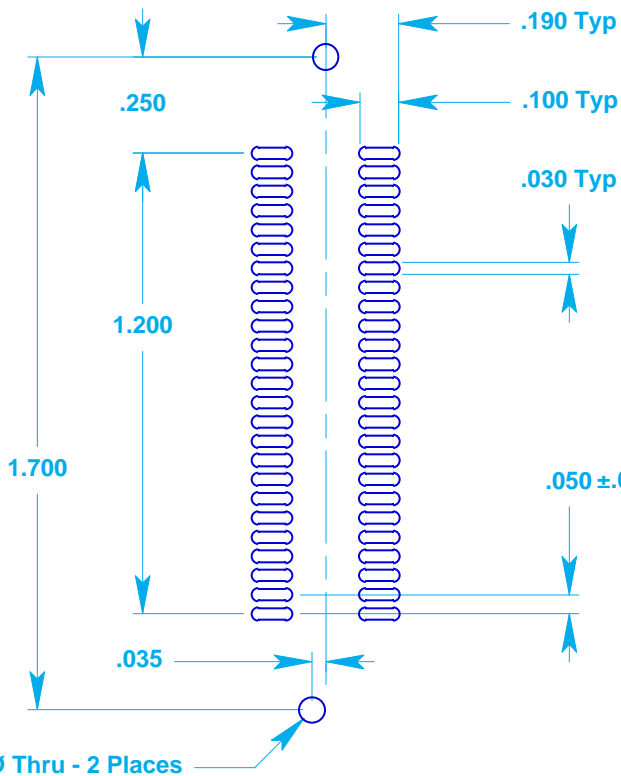
☒ = CONNECTION TO GROUND BUSS.

ANY NUMBER OF THESE LINES MAY BE TERMINATED TO GROUND AT THIS END. PLEASE SPECIFY WHEN ORDERING.

ANY NUMBER OF THESE LINES MAY BE TERMINATED TO GROUND AT THIS END. PLEASE SPECIFY WHEN ORDERING.

CONTENTS

PRODUCT INFO



P C Board Pad Pattern For Mating MERITEC Connector ALPTEX Part #923718-50

(Solder Pads - Near Side)

.050 ±.003 - 24 Places Tolerance Non-Accumulative

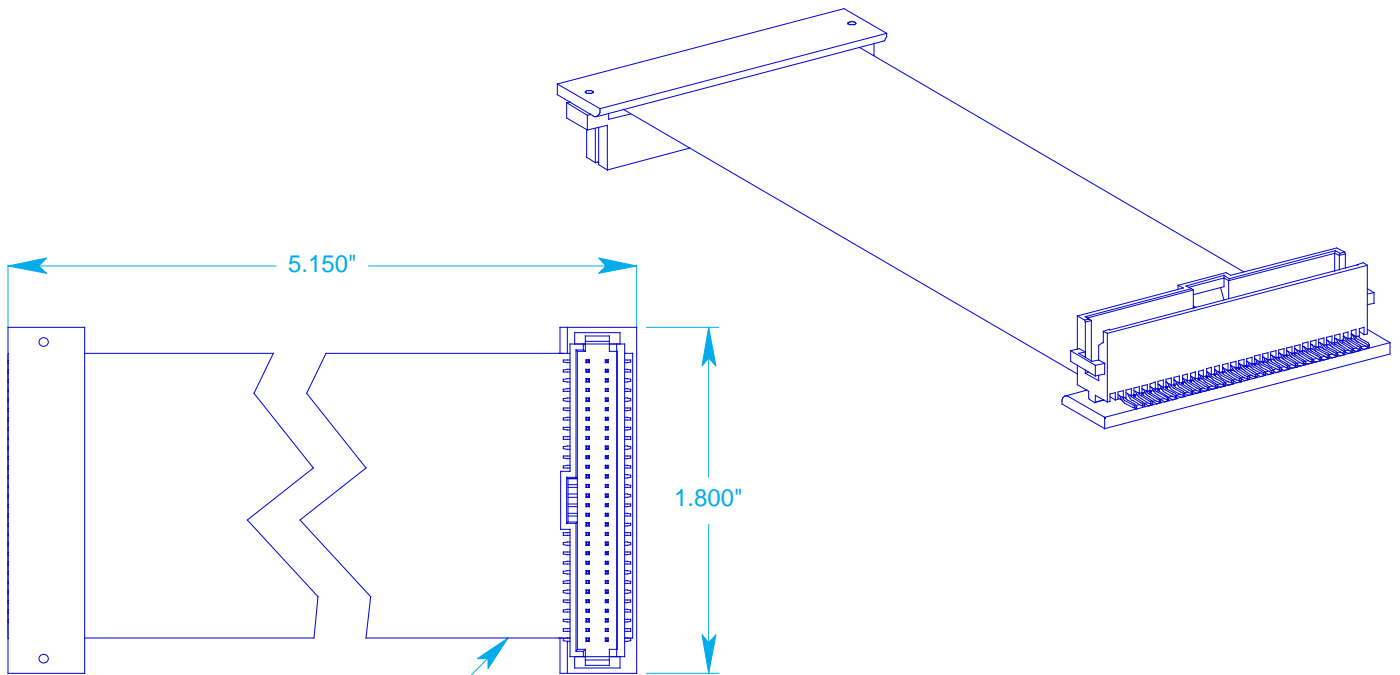
**ALP
TEX** Incorporated

P.O. Box 476
Orwell, Ohio 44076
(440)437-5570 • (440)437-5571 FAX
www.alptex.com

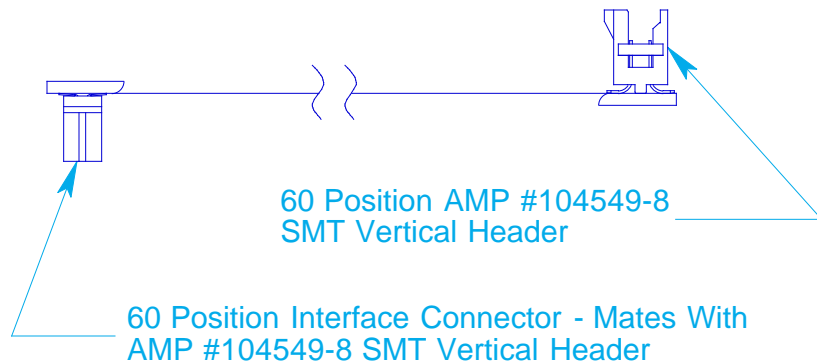
ALL STATEMENTS, SPECIFICATIONS AND TECHNICAL INFORMATION ON THIS DATA SHEET ARE SUBJECT TO CHANGE AT ANY TIME WITHOUT NOTICE.

Amp Socket to Plug FlexProbe

(Direct Connect or Extender)



KAPTON Insulated Flex Circuit



60 Position AMP #104549-8 SMT Vertical Header

60 Position Interface Connector - Mates With AMP #104549-8 SMT Vertical Header

ALPTEX

| # LEADS | PART NUMBER |
|---------|--------------|
| 56 | 923728-56-nn |

*nn Represents a serially assigned, unique number which describes the application specific grounding pattern desired. (See reverse side of this Data Sheet.)

FEATURES:

- PERMITS A DIRECT, PARALLEL CONNECTION TO TARGET VIA SEPARATE PORT.
- CAN BE USED AS A FLEXPROBE EXTENDER.
- ELIMINATES NEED TO ALTER P. C. BOARD BETWEEN DEVELOPMENT AND PRODUCTION PHASES.
- EMBEDDED GROUND PLANE DESIGNED TO VIRTUALLY ELIMINATE CROSSTALK / EMI PROBLEMS.
- MADE ENTIRELY IN THE U.S.A.
- FLEXPROBES FOR EMULATING POPULAR COMPONENT PACKAGES ARE ALSO AVAILABLE...CONSULT FACTORY.

ALPTEX Incorporated

P.O. Box 476
Orwell, Ohio 44076
(440)437-5570 • (440)437-5571 FAX
www.alptex.com

ALL STATEMENTS, SPECIFICATIONS AND TECHNICAL INFORMATION ON THIS DATA SHEET ARE SUBJECT TO CHANGE AT ANY TIME WITHOUT NOTICE.

KAPTON is a Trademark of Du Pont AMP is a Trademark of AMP, Inc © Copyright ALPTEX, Inc. 1996

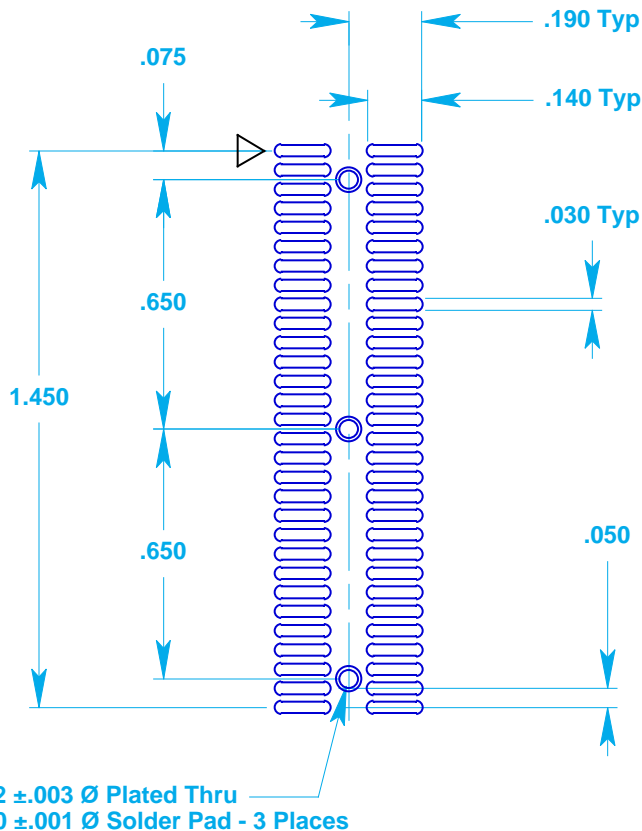
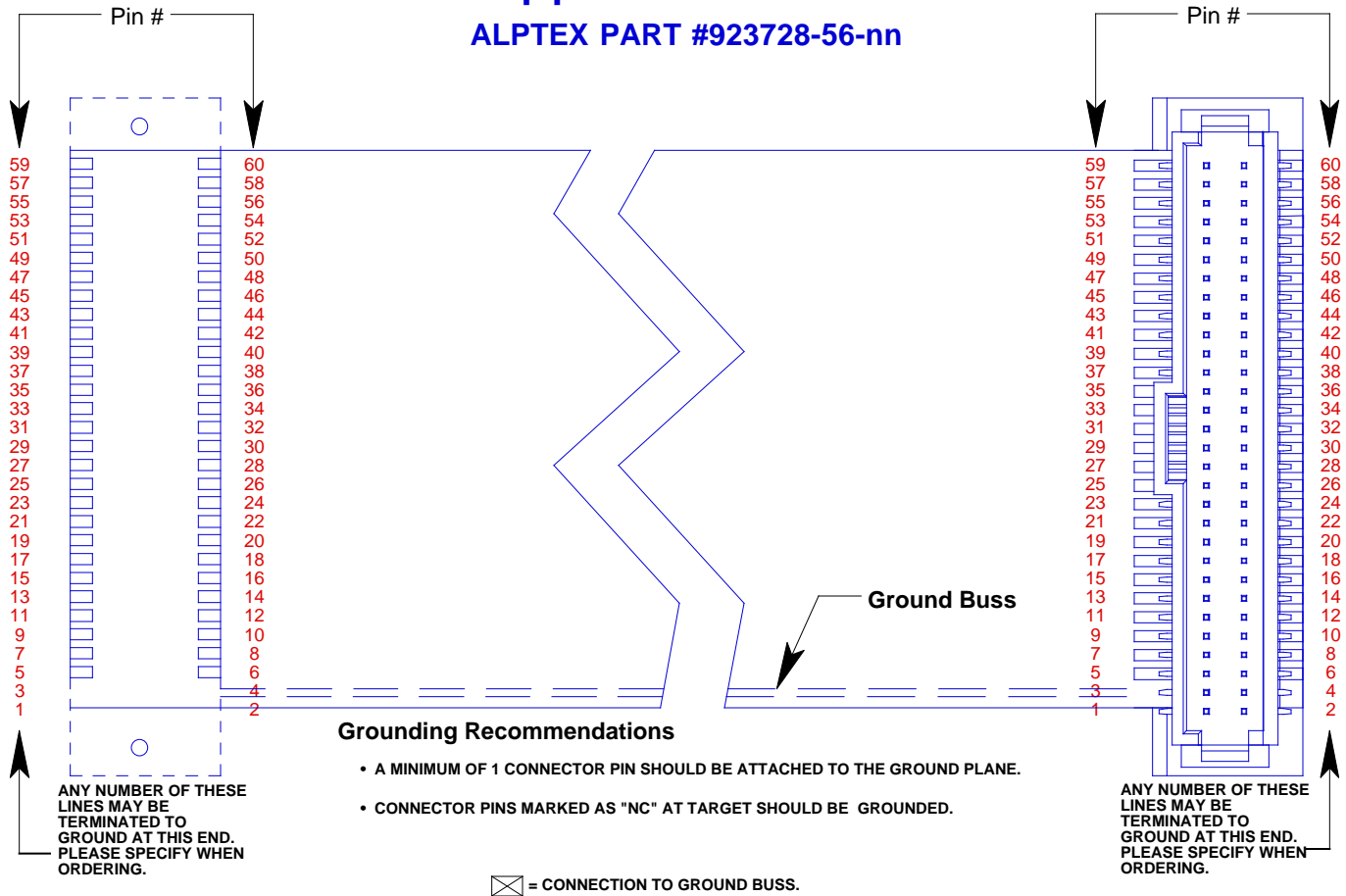
923728-56-nn.041598A

CONTENTS

APP DATA

Amp Socket to Plug FlexProbe Application Data

ALPTEX PART #923728-56-nn



**P C Board Pad Pattern
For Mating AMP Connector
AMP #104549-8
(Solder Pads - Near Side)**

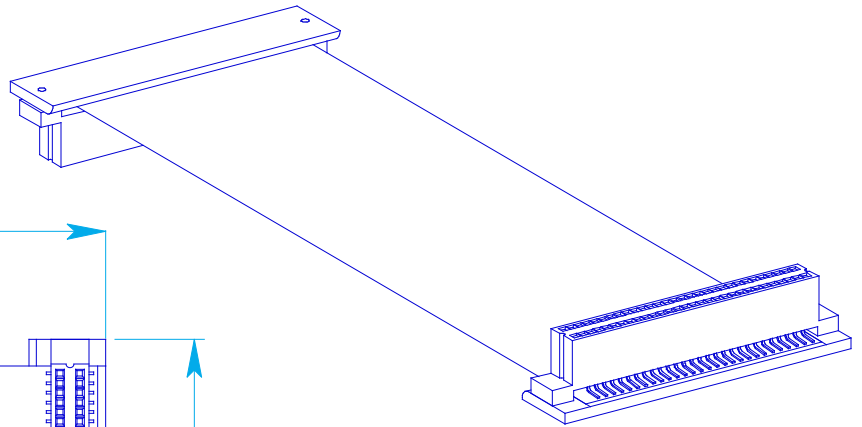
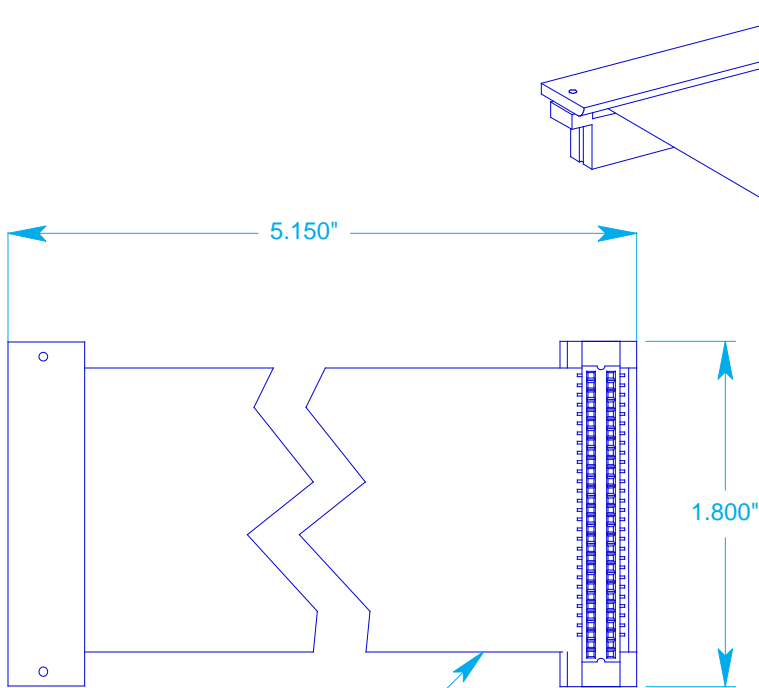
**ALP
TEX** Incorporated
P.O. Box 476
Orwell, Ohio 44076
(440)437-5570 • (440)437-5571 FAX
www.alptex.com

ALL STATEMENTS, SPECIFICATIONS AND TECHNICAL INFORMATION ON THIS DATA SHEET ARE SUBJECT TO CHANGE AT ANY TIME WITHOUT NOTICE.

Amp Socket to Amp Socket FlexProbe

(Direct Connect)

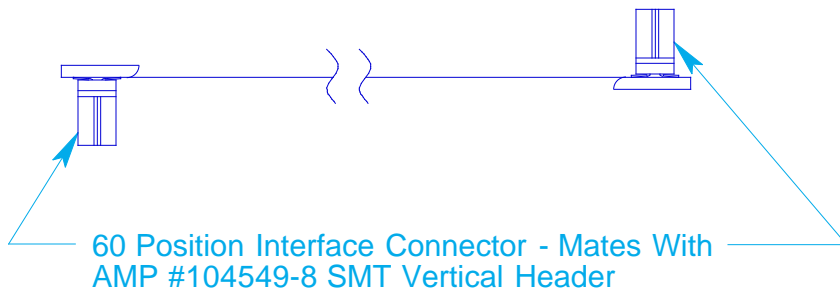
CONTENTS



KAPTON Insulated Flex Circuit

| ALPTEX | |
|---------|--------------|
| # LEADS | PART NUMBER |
| 56 | 923731-56-nn |

*nn Represents a serially assigned, unique number which describes the application specific grounding pattern desired. (See reverse side of this Data Sheet.)



APP DATA

FEATURES:

- PERMITS A DIRECT, PARALLEL CONNECTION TO TARGET VIA SEPARATE PORT.
- ELIMINATES NEED TO ALTER P. C. BOARD BETWEEN DEVELOPMENT AND PRODUCTION PHASES.
- EMBEDDED GROUND PLANE DESIGNED TO VIRTUALLY ELIMINATE CROSSTALK / EMI PROBLEMS.
- MADE ENTIRELY IN THE U.S.A.
- FLEXPROBES FOR EMULATING POPULAR COMPONENT PACKAGES ARE ALSO AVAILABLE...CONSULT FACTORY.

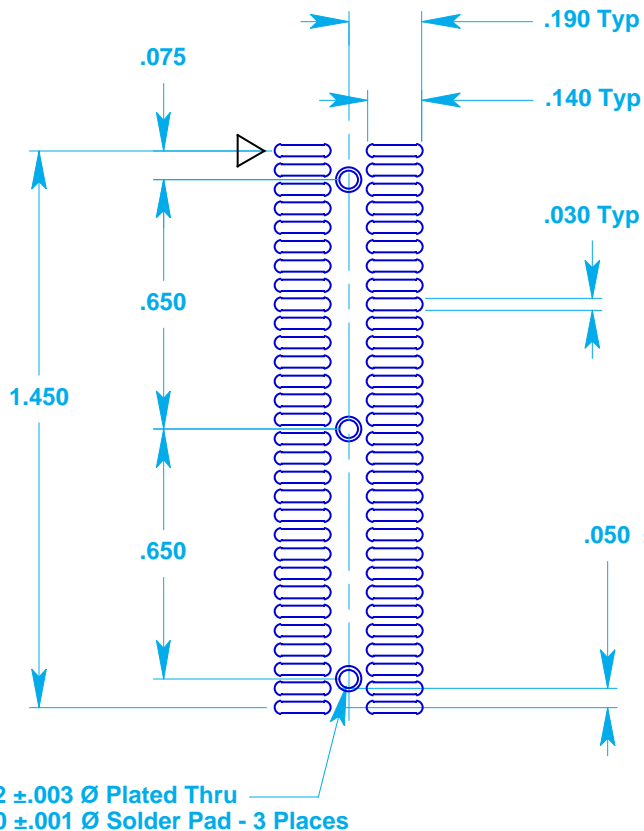
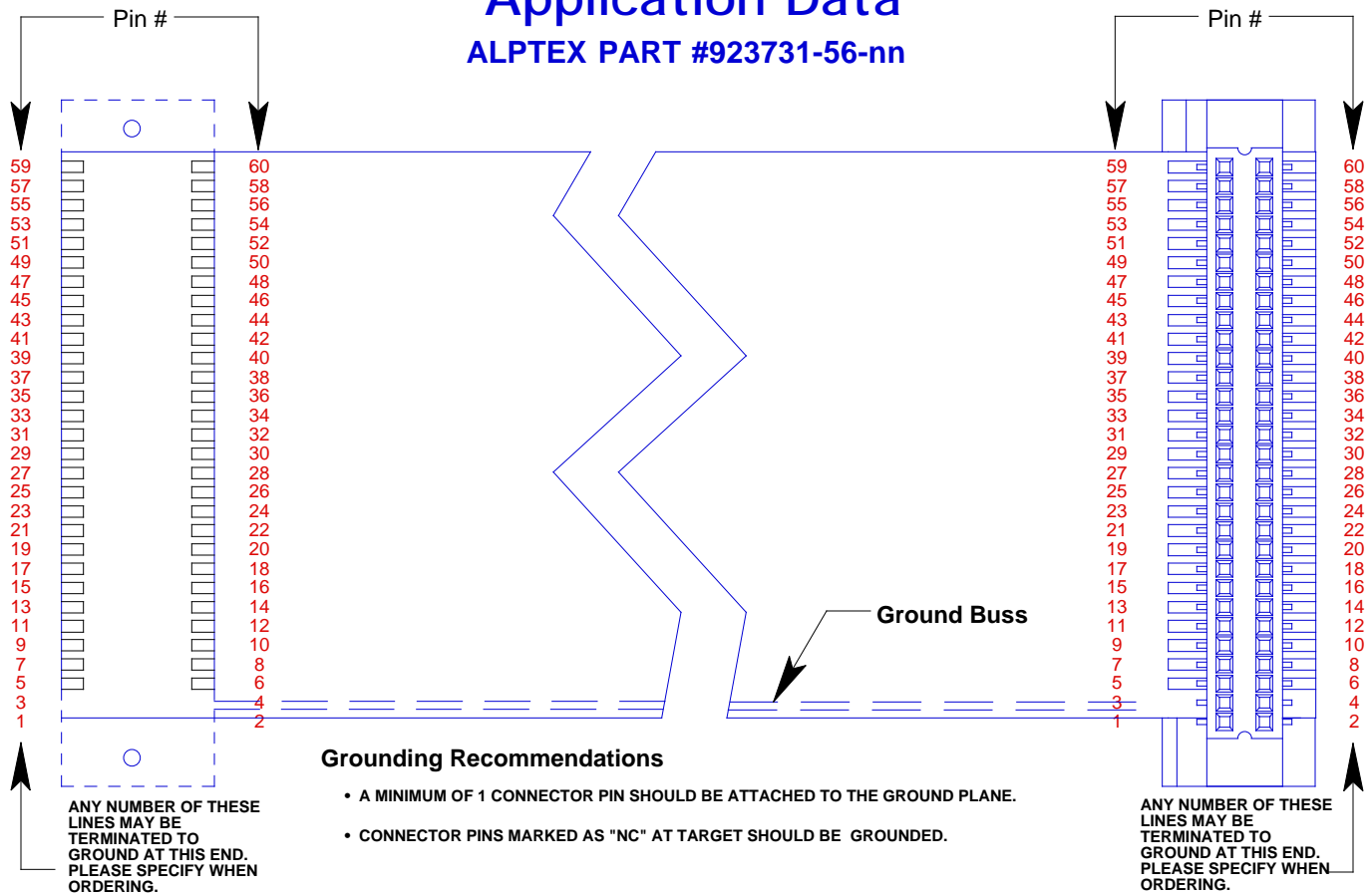
**ALP
TEX** Incorporated
 P.O. Box 476
 Orwell, Ohio 44076
 (440)437-5570 • (440)437-5571 FAX
www.alptex.com

ALL STATEMENTS, SPECIFICATIONS AND TECHNICAL INFORMATION ON THIS DATA SHEET ARE SUBJECT TO CHANGE AT ANY TIME WITHOUT NOTICE.

Amp Socket to Amp Socket FlexProbe

Application Data

ALPTEX PART #923731-56-nn



P C Board Pad Pattern
For Mating AMP Connector
AMP #104549-8
(Solder Pads - Near Side)

**ALP
TEX** Incorporated

P.O. Box 476
Orwell, Ohio 44076
(440)437-5570 • (440)437-5571 FAX
www.alptex.com

ALL STATEMENTS, SPECIFICATIONS AND TECHNICAL INFORMATION ON THIS DATA SHEET ARE SUBJECT TO CHANGE AT ANY TIME WITHOUT NOTICE.

AMP is a Trademark of AMP, Inc.

© Copyright ALPTEX, Inc. 1996

923731-56-nn.041598B

CONTENTS

PRODUCT INFO