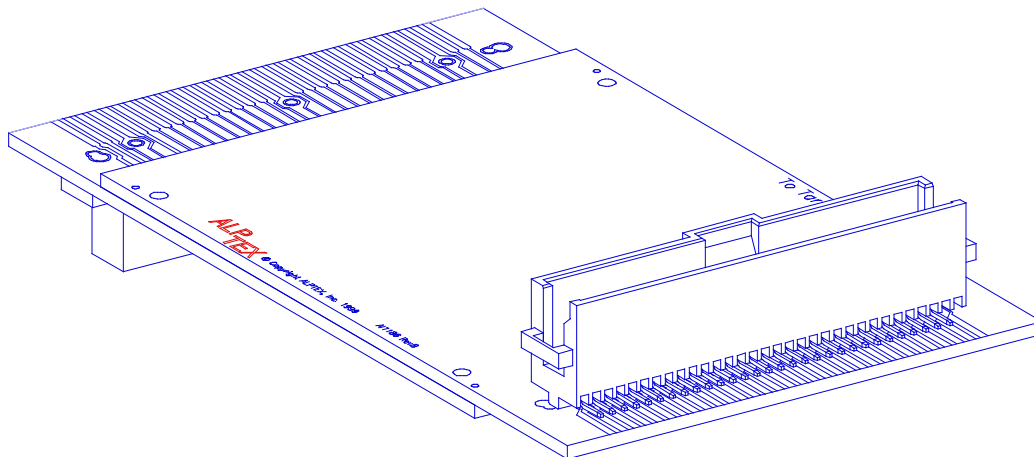


ALP TEX

Probes For Fine Pitch Connections



PGM Remap Adaptor

PGM Remap Adaptors

Data/Application Sheets

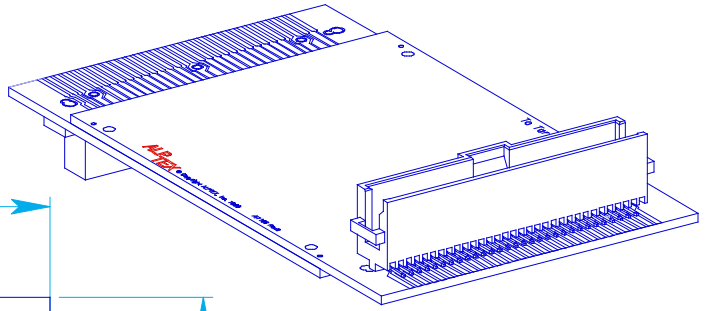
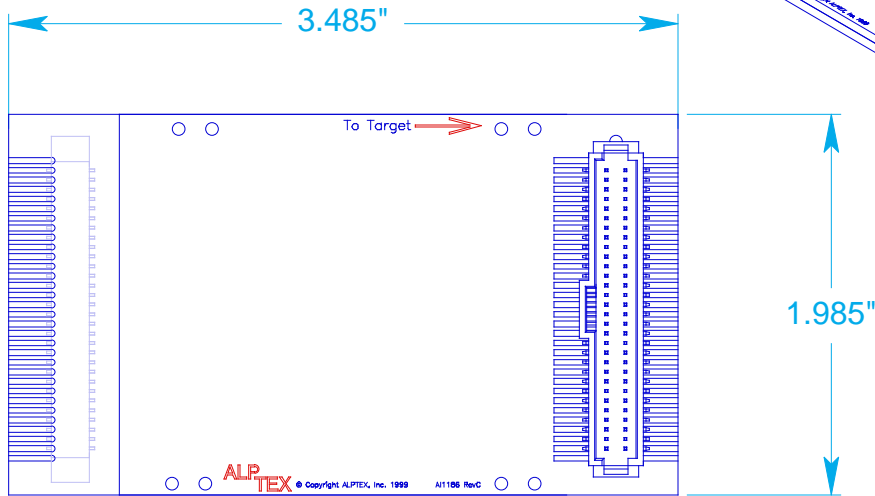
ALPTEX Part Number	Description
923754-XXXX-nnnn	PGM Remap Adaptor

.pdf files are also available for the following:

- 0,5mm (.0197") Pitch TSOP FlexProbes...TSOP_FP.pdf
- 0,8mm (.0315") Pitch SSOP FlexProbes...SSOP_FP.pdf
- 1,27mm (.050") Pitch PSOP FlexProbes...PSOP_FP.pdf
- 1,27mm (.050") Pitch PLCC FlexProbes...PLCC_FP.pdf
- 0,75mm (.0295") Pitch microBGA FlexProbes...mBGA_FP.pdf
- 1,00mm (.0393") Pitch BGA FlexProbes...BGA_FP.pdf
- FlexProbe Extenders...EXTENDFP.pdf

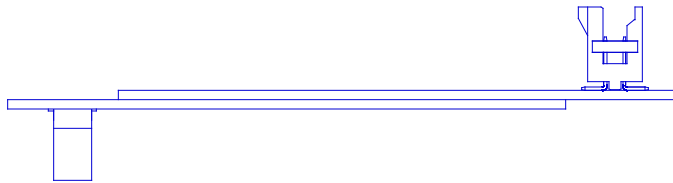
PGM Remap Adaptor

(AMP Socket To AMP Plug Shown)



Part # 923754-SRPR-nnnn

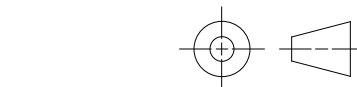
AMP Socket, Right Angle to
AMP Plug, Right Angle



FEATURES:

- UNIVERSAL ADAPTOR PERMITS REMAPPING OF CONNECTIONS. ANY OR ALL PINS AT LEFT END CAN BE CONNECTED TO ANY OR ALL PINS AT RIGHT END.
- OVER 40 MILLION POSSIBLE ROUTING COMBINATIONS.
- ALLOWS ROUTING EMULATOR /PROGRAMMER CONNECTIONS TO ANY TARGET.
- REROUTES CONNECTIONS TO CORRECT FOR LAYOUT ERRORS, SUCH AS INCORRECT PINOUTS AND MIRRORING.
- IMMEDIATE, COST EFFECTIVE SUPPORT FOR NEW OR UNCOMMON DEVICE MAPPING.
- UP TO 60 PINS PER ADAPTOR.
- FAST TURNAROUND (USUALLY 24 HOURS)
- PROUDLY MADE ENTIRELY IN THE U.S.A.
- FLEXPROBES FOR CONNECTING POPULAR COMPONENT PACKAGES ARE AVAILABLE... CONSULT FACTORY.

Accompanying pages describe pin numbers and land pad patterns for mating connectors.



ALPTEX PART NUMBER
923754-HRHR-nnnn
923754-SRPR-nnnn

nnnn Represents a factory assigned number which describes the connection pattern desired. The following pages describe pin numbers and land pad patterns for mating connectors.

Right Connector Type and Orientation

Left Connector Type and Orientation

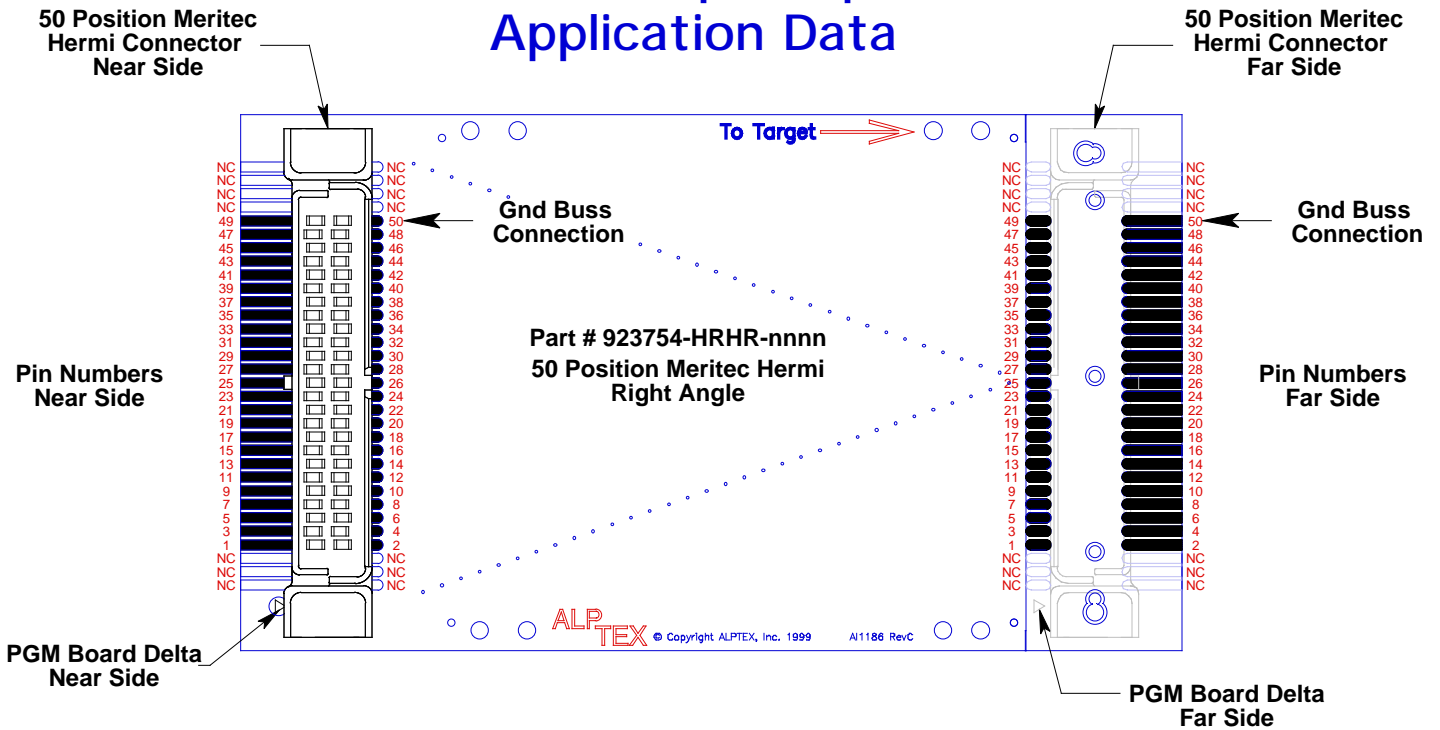
Connector Types:	Orientation:
H = Meritec "Hermi" - 50 Pos.	R = Right Angle
S = AMP Socket - Female - 60 Pos.	
P = AMP Plug - Male - 60 Pos.	

NOTE-Many connector combinations are possible. The most popular are listed above.

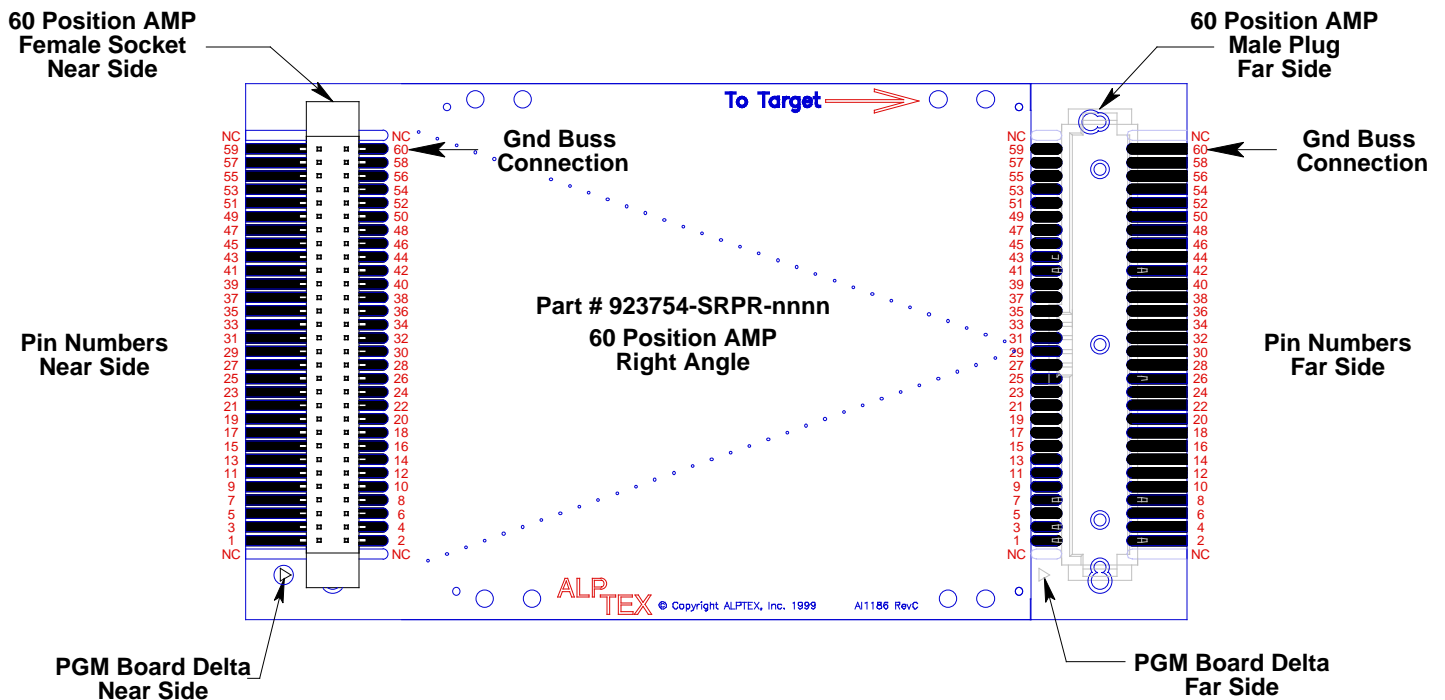
ALPTEX Incorporated
P.O. Box 476
Orwell, Ohio 44076
(440)437-5570 • (440)437-5571 FAX
www.alptex.com

ALL STATEMENTS, SPECIFICATIONS AND TECHNICAL INFORMATION ON THIS DATA SHEET ARE SUBJECT TO CHANGE AT ANY TIME WITHOUT NOTICE.

PGM Remap Adaptor Application Data



- Grounding Guidelines:**
1. HERMI Pin 50 on Left End is connected to Ground and to HERMI pin 50 on Right End.
 2. AMP Pin 60 on Left End is connected to Ground and to AMP Pin 60 on Right End.
 3. Pins marked "NC" in diagram will be connected to Ground.
 4. Undefined Pins or Pins marked "G" or "N/C" will be Grounded unless otherwise specified.



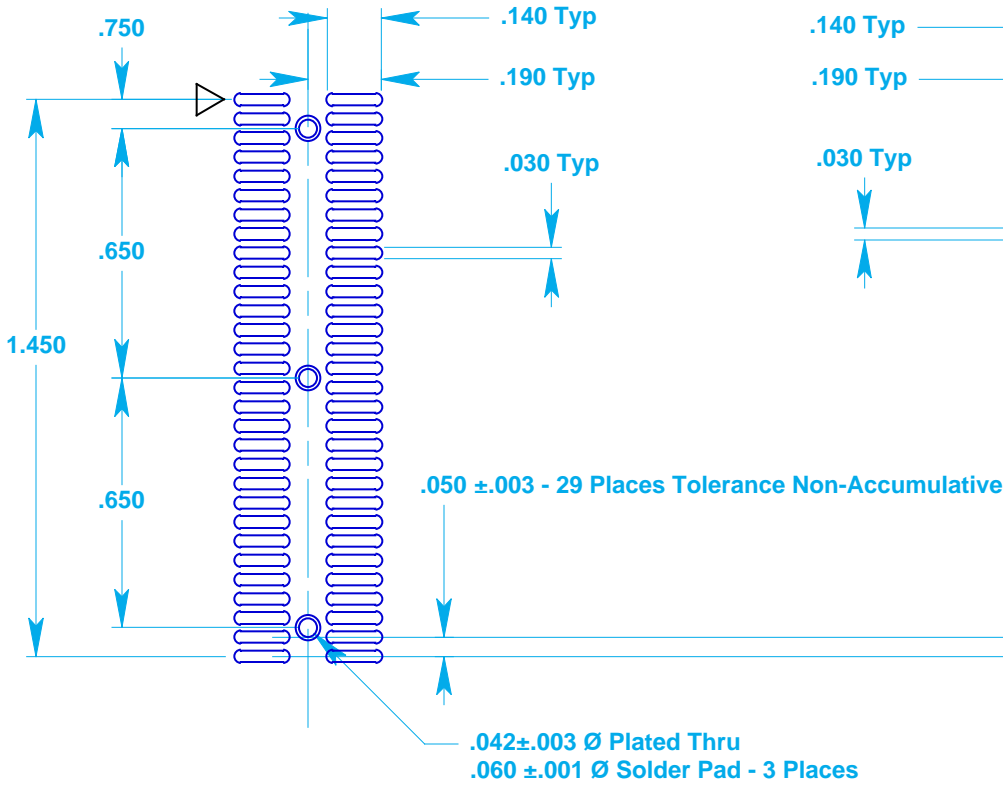
Accompanying pages describe product info and land pad patterns for mating connectors.

ALPTEX Incorporated
 P.O. Box 476
 Orwell, Ohio 44076
 (440)437-5570 • (440)437-5571 FAX
www.alptex.com

PGM Remap Adaptor Land Pad Data

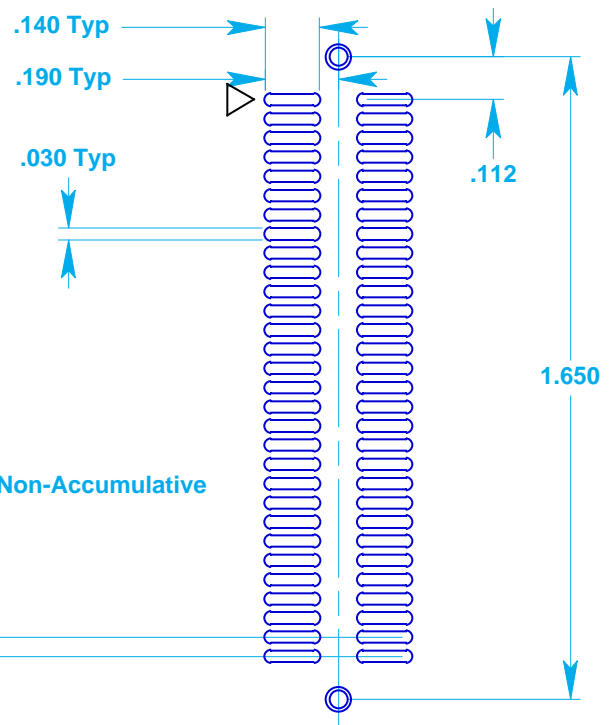
Customer P C Board Pad Pattern For Mating AMP Male Plug AMP #104549-8

(Solder Pads - Near Side)



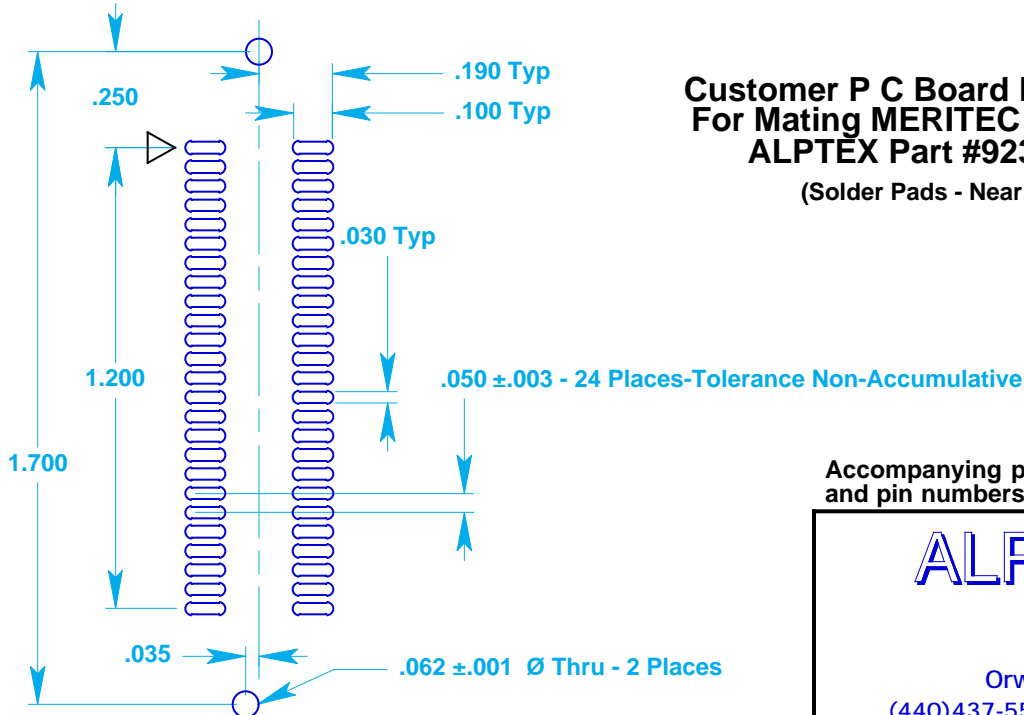
Customer P C Board Pad Pattern For Mating AMP Female Socket AMP #104550-7

(Solder Pads - Near Side)



Customer P C Board Pad Pattern For Mating MERITEC Connector ALPTEx Part #923718-50

(Solder Pads - Near Side)



Accompanying pages describe product info and pin numbers for mating connectors.

ALPTEx Incorporated
P.O. Box 476
Orwell, Ohio 44076
(440)437-5570 • (440)437-5571 FAX
www.alptex.com

PGM Remap Adaptor Ordering

STEP 1: Print or copy this form, then provide us with some information (please print)...

Your Company Name: _____
 Your Name: _____
 Phone: (___) _____ Ext: _____
 FAX: (___) _____ E-Mail: _____

STEP 2: Choose a connector...

MERITEC HERMI

OR

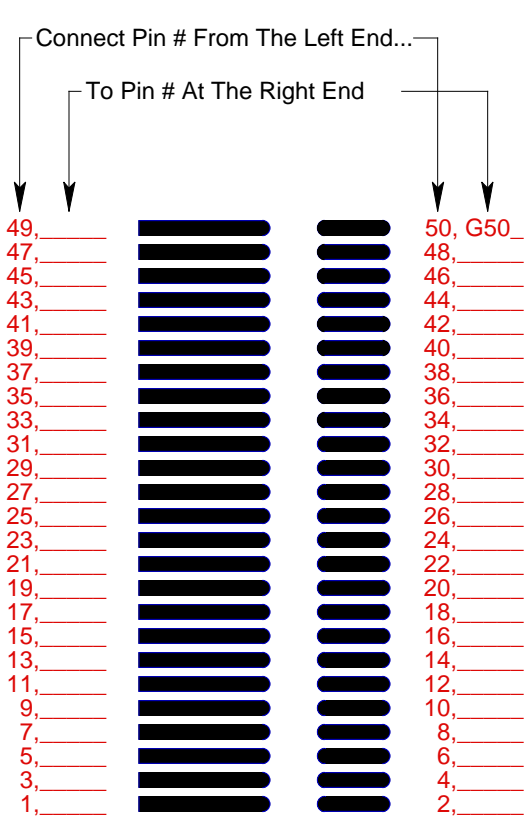
AMP SOCKET/PLUG

STEP 3: Indicate how you would like to map your PGM Adaptor...

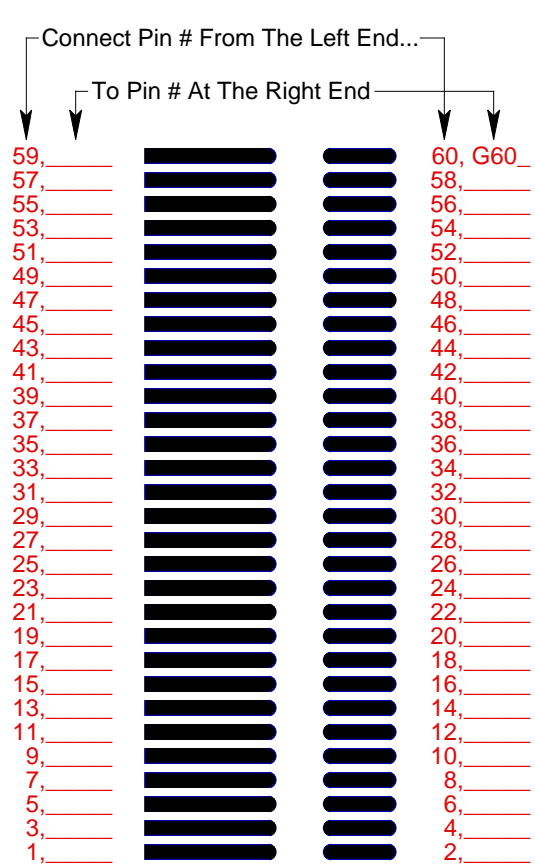
(Example...47,39 indicates Left End Pin #47 connected to Right End Pin #39.)

(Example...47,G39 indicates Left End Pin #47 connected to Right End Pin #39 AND Grounded.)

Note: Undefined pins or pins marked "G" or "N/C" will be grounded unless otherwise specified.



923754-HRHR-nnnn
 Emulator Connector (Left) End
 (Refer to App. Data Page)



923754-SRPR-nnnn
 Emulator Connector (Left) End
 (Refer to App. Data Page)

STEP 4:

Attach this to your RFQ or Purchase Order and mail or FAX back to us. If you are attaching this form to a P.O., please sign and date:

Authorized by: _____ Date: _____

**ALP
 T E X** Incorporated
 P.O. Box 476
 Orwell, Ohio 44076
 (440)437-5570 • (440)437-5571 FAX
 www.alptex.com

CONTENTS
 PROD INFO
 APP DATA
 LAND PADS