

# ALP TEX

*Your Complete Memory Emulation Source*

● ALPTEX's new internet-ready emulator, or "ie", is the latest addition to our growing family of memory emulation tools.

● Tools that work together to speed your product to market... drastically reducing the "Time to Money" for your project!

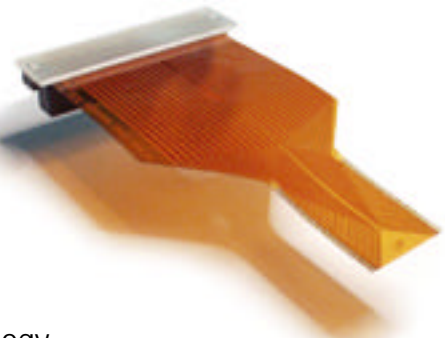
● Eliminates the outdated ROM "Burn and Try" approach.

● The combination of features, convenience and price make "ie" a memory emulator without equal.

● Features include 30nS emulation speed, built-in ethernet, a PGM II port and automatic voltage sensing and matching.



"ie" integrates seamlessly with all of our target interconnects...  
TSOP, PSOP, SSOP, DIP, PLCC, BGA, FBGA, mBGA...



...and capitalizes on our PGM II technology to make switching targets a snap.



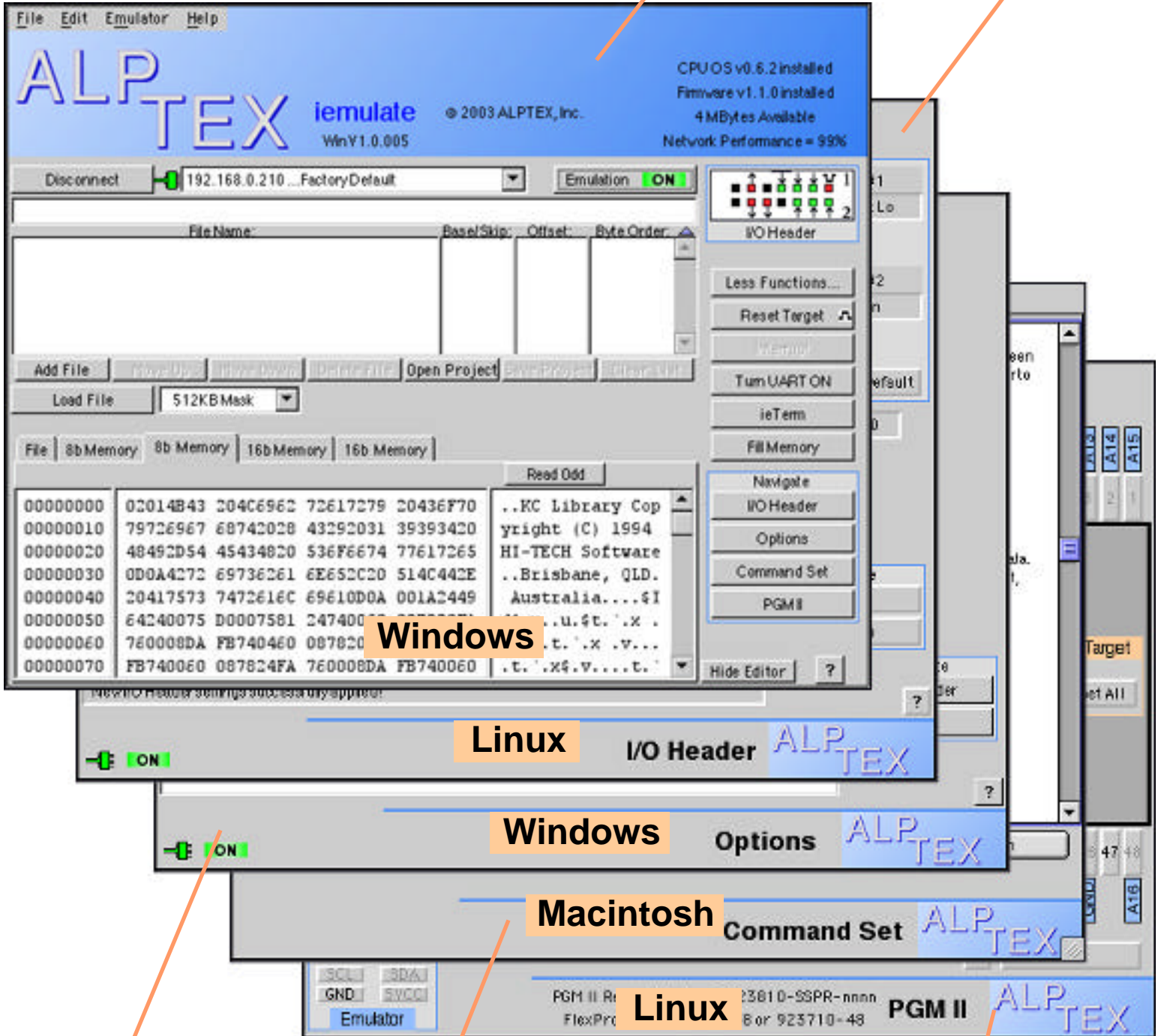
*This modular system makes ALPTEX the most vertically integrated memory emulation source globally... one call and you have the entire integrated system.*

ALPTEX, Inc • 4115 Mayfield Road • Orwell • Ohio • 44076 • USA  
(440)437-5570 • (440)437-5571 FAX • [www.alptex.com](http://www.alptex.com)

*ALPTEX's powerful, yet simple to use, host application speeds your code development. All popular platforms supported in native mode.*

The main page, where most emulator functions are controlled and monitored.

The I/O Header page, where many special features are set.



**Windows**

**Linux**

**I/O Header**

**Windows**

**Options**

**Macintosh**

**Command Set**

**Linux**

**PGM II**

The Options page...various utilities and preferences.

The Command Set... for writing custom applications.

Create a PGM II file on this page, then email it to ALPTEX for FAST turnaround for your next project!

***ALPTEX's "ie" System has a feature set that can't  
be found anywhere else...and even more features  
are being added for the future.***

- 8Mx8bit or 4Mx16bit Emulation Modes (32bit w/Multiple Units)...  
Maximum flexibility for all of your current and future projects.
- 30nS Emulation Speed...  
Fastest among memory emulators.
- Built-in Ethernet...  
Collaborate with associates across the internet.  
Protect sensitive targets by securing them in the lab.  
Speed development time by sharing a target with your colleagues.  
Perfect for telecommuting.
- PGM II Port...  
Connect immediately to all targets.  
Use one emulator for many different targets.  
Mimic your existing emulator as simply as plug and play.  
Adapts to the target...no need to adapt your target to the emulator.
- Virtual UART...  
RS-232 communications with your target.  
Slashes your debug time.  
Isolates host computer from the target system.
- Automatic Voltage Sensing/Matching from 1.8V to 5.0V...  
Eliminates the need for jumper wires.  
Requires no special adaptors.  
Broad device compatibility.
- User Programmable IO Header...  
User can configure inputs/outputs.  
Programmable reset output.  
Req/Ack circuit for "on the fly" editing.
- Aluminum Billet Case...  
The most rugged available.  
EMI/RFI hardened.  
Compact size.
- Factory Support...  
A one-stop, vertically integrated supplier.  
Continual software improvement.  
ALPTEX technical lab services for special needs.  
Custom host application support.
- Free GUI Host Software...  
Simplest to use with full, printable Help/Instructions built into each page.  
Native for Windows, Mac and Linux with more platforms being developed.  
Built-in terminal emulation program.  
Built-in file utilities.
- Free Upgrade Firmware...  
Add new features with our firmware upgrades.
- Less Expensive...  
40% lower than other comparable competitor's units.

***Contact our factory or one of our representatives for details on "test driving" an ALPTEX "ie"!***

***ALPTEX, Inc • 4115 Mayfield Road • Orwell • Ohio • 44076 • USA  
(440)437-5570 • (440)437-5571 FAX • [www.alptex.com](http://www.alptex.com)***

ALPTEX's "ie" System offers the highest value of any memory emulator!

## Price Comparison

Item	ALPTEX Model "ie"		Competitor "E"		Competitor "G"	
	P/N	Price	P/N	Price	P/N	Price
Emulator	923825	\$1,995	PJ32M-85	\$1,895	P2160-45	\$2,495
Ethernet Adaptor	Built-in	\$0	ADP-LAN	\$730	FP3720	\$495
Variable Voltage	Built-in	\$0	OPT-VV	\$105	3VA16DC	\$195
Mapping Adaptor	923810-SSPR-nnnn	\$0*	N/A**	\$255	N/A**	\$255
Target Probe	923710-48	\$0*	ADP-48TS	\$295	TSOP48FP	\$225
<b>Total</b>	<b>\$1,995</b>		<b>\$3,280</b>		<b>\$3,665</b>	

\* Special offer good through 6/30/04...If you purchase an ALPTEX "ie" Emulator (P/N 923825) at the regular price, a PGM II Remap Adaptor and Target Connection of your choice are FREE!

\*\* Available through 3rd party at the price shown.

Competitive info in the table above is the most accurate available to us as of 10/1/03, and represents the closest model equivalents to "ie" from those manufacturers.

This example assumes connection to a Meritec 48TSOP socket target.

Prices are in U.S. dollars, F.O.B. Orwell, Ohio, USA

*ALPTEX's "ie" System specifications*

Performance

Ethernet: Up To 140Kbps

Serial: RS232 Up To 115.2Kbaud

Access Speed: 30nS

Word Sizes: 8b/16b (32b w/Multiple Units)

Memory Sizes: 8M x 8b/4M x 16b

Voltages: 1.8 to 5.0VDC (Auto-Detect and Adjust to Target)

Connections

Power: 5,5mm ID x 2,0mm Pin (+5VDC)

Ethernet: RJ45

Serial: 6 Pos Mini-Din (DB9F Adaptor and Cable Included)

I/O Port: 20 Pos .1" x .1" Shrouded Header

PGM II Port: 60 Pos .05" x .1" Shrouded Header

Indicators

Power/Status

Ethernet

Physical

Housing: Machined Aluminum Alloy Billet

Size: 5.4"(136mm)L x 4.1"(104mm)W x 1.3"(33mm)H

Net Weight: 1.6Lbs(0,7Kg)

Included Accessories

External Power Supply

Ethernet Cable

Serial Adaptor and Cable

Host Software (Windows, Macintosh or Linux)

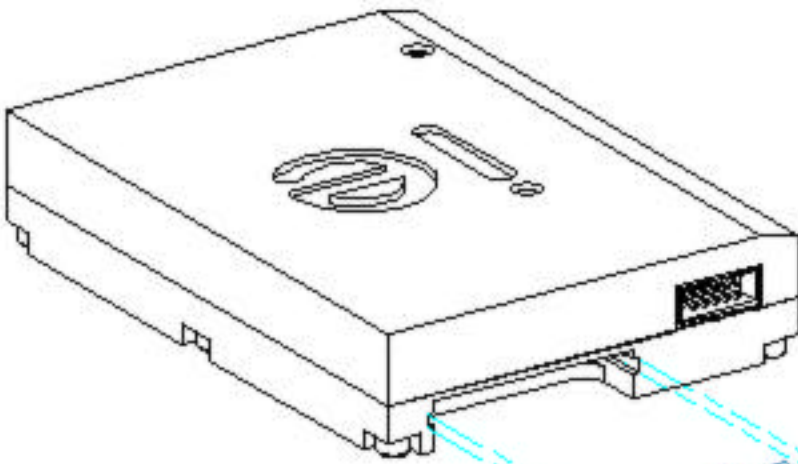
Warranty

1 year from date of delivery

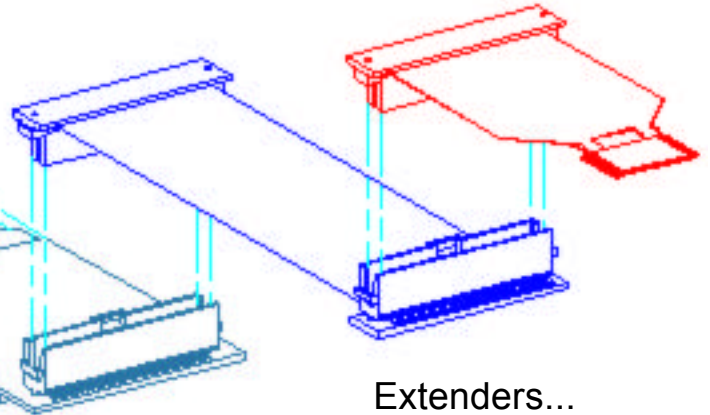
*All Statements, Specifications And Technical Information Are Subject To Change At Any Time*

*The ALPTEX family of memory emulation tools.*

Model "ie" Emulators...  
Simple, rugged, powerful.



FlexProbes...  
Connections for all popular packages.



PGM II Remap Adaptors...  
Map to any target pinout  
with 40 million possibilities.  
Overnight!

Extenders...  
An option to keep  
your target area clear.

*Your biggest challenge should be your project...  
not your tools.*

*This document © Copyright ALPTEX, Inc. 2004 Meritec is a Tradename of Associated Enterprises*

*ALPTEX, Inc • 4115 Mayfield Road • Orwell • Ohio • 44076 • USA  
(440)437-5570 • (440)437-5571 FAX • www.alptex.com*

*2/12/04*